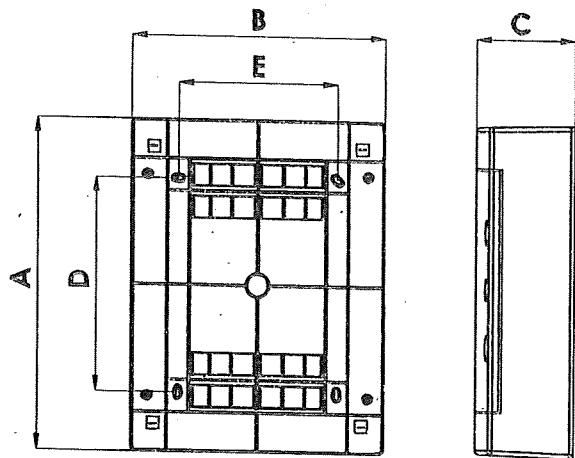
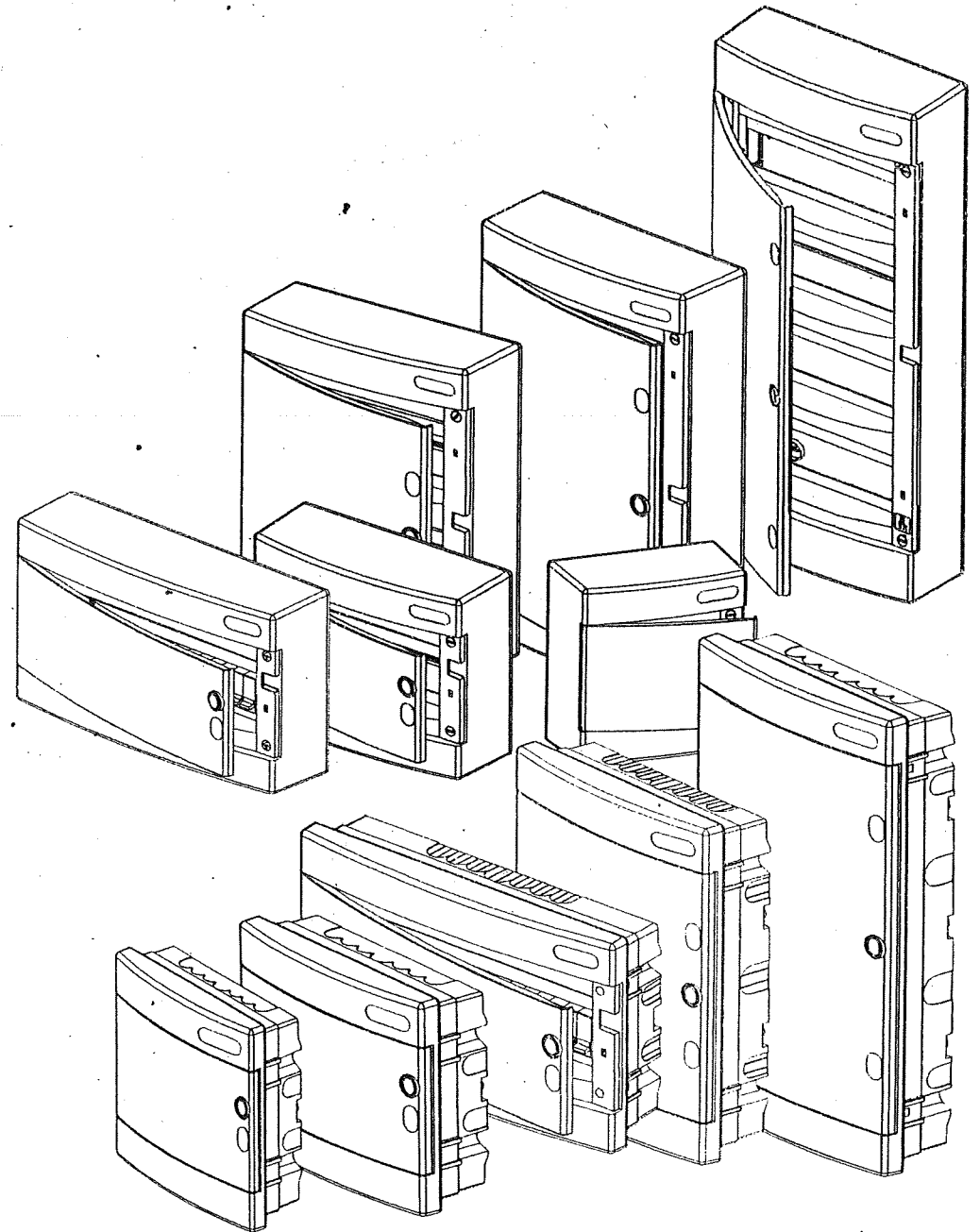


	A	B	C	D	E	Pde
U4-8C / U4-8CW	212 mm	198 mm	70 mm		29 mm	14 W
U12C / U12CW	212 mm	267 mm	70 mm		29 mm	22 W
U18C / U18CW	212 mm	378 mm	70 mm		29 mm	22 W
U24C / U24CW	336 mm	267 mm	70 mm	125 mm	29 mm	24 W
U36C / U36CW	462 mm	267 mm	70 mm	125 mm	29 mm	26 W



	A	B	C	D	E	Pde
N4-8C / N4-8CW	236 mm	215 mm	112 mm	107 mm	108 mm	14 W
N12C / N12CW	236 mm	287 mm	112 mm	107 mm	180 mm	22 W
N18C / N18CW	236 mm	396 mm	112 mm	107 mm	289 mm	22 W
N24C / N24CW	361 mm	287 mm	112 mm	232 mm	180 mm	24 W
N36C / N36CW	482 mm	287 mm	112 mm	357 mm	180 mm	26 W
N48C / N48CW	653 mm	287 mm	112 mm	482 mm	180 mm	28 W



Temperature range: -25°C ... +60 °C, Rating Voltage: AC 400 V, According to: IEC 60670

